



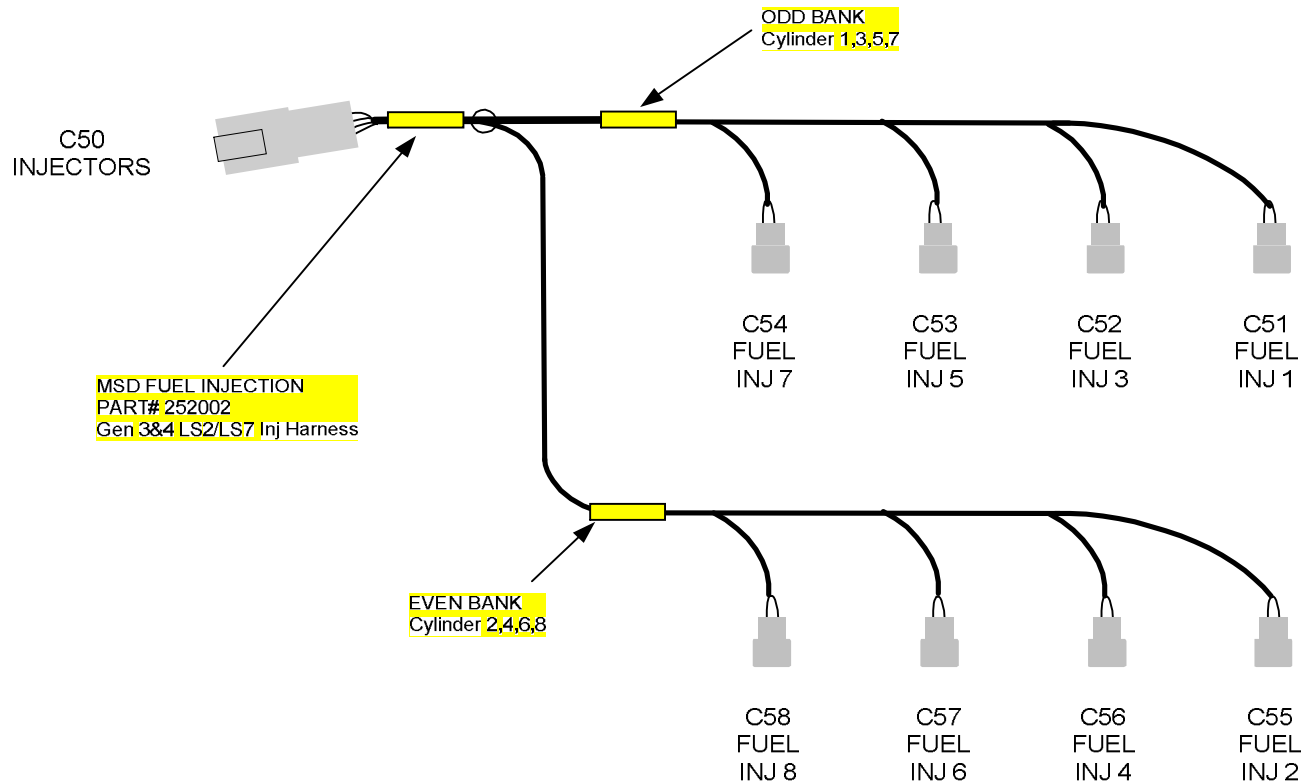
## Harness Specification

P/N: **252002**

REV:

**D**

NAME: **Gen 3&4 LS2/LS7 Injector Harness**



<b>MSD</b> FUEL INJECTION		
NAME: Gen 3&4 LS2/LS7 Inj Harness		
PART: Part # 252002		
DRAWN BY: MDS	DATE: 6/20/06	REV.: D

P/N:

252002

Rev: **D**

Name: Gen 3&4 LS2/LS7 Injector Harness

**C50**

Connector Name

INJECTORS

Label

INJECTORS

Pin	Function
1	INJECTOR POWER, EVEN
2	TRIGGER, INJECTOR (ODD) A
3	TRIGGER, INJECTOR (EVEN) B
4	INJECTOR POWER, ODD

Color
Pnk
Grn
Blu
Pnk

**C51**

Connector Name

INJECTOR 1

Label

INJ1

Pin	Function
A	INJECTOR POWER, ODD
B	TRIGGER, INJECTOR (ODD) A

Color	Dest1
Pnk	C50-4
Grn	C50-2

**C52**

Connector Name

INJECTOR 3

Label

INJ3

Pin	Function
A	INJECTOR POWER, ODD
B	TRIGGER, INJECTOR (ODD) A

Color	Dest1
Pnk	C50-4
Grn	C50-2

**C53**

Connector Name

INJECTOR 5

Label

INJ5

Pin	Function
A	INJECTOR POWER, ODD
B	TRIGGER, INJECTOR (ODD) A

Color	Dest1
Pnk	C50-4
Grn	C50-2

**C54**

Connector Name

INJECTOR 7

Label

INJ7

Pin	Function
A	INJECTOR POWER, ODD
B	TRIGGER, INJECTOR (ODD) A

Color	Dest1
Pnk	C50-4
Grn	C50-2

**C55**

Connector Name

INJECTOR 2

Label

INJ2

Pin	Function
A	INJECTOR POWER, EVEN
B	TRIGGER, INJECTOR (EVEN) B

Color	Dest1
Pnk	C50-1
Blu	C50-3

**C56**

Connector Name

INJECTOR 4

Label

INJ4

Pin	Function
A	INJECTOR POWER, EVEN
B	TRIGGER, INJECTOR (EVEN) B

Color	Dest1
Pnk	C50-1
Blu	C50-3

**C57**

Connector Name

INJECTOR 6

Label

INJ6

Pin	Function
A	INJECTOR POWER, EVEN
B	TRIGGER, INJECTOR (EVEN) B

Color	Dest1
Pnk	C50-1
Blu	C50-3

**C58**

Connector Name

INJECTOR 8

Label

INJ8

Pin	Function
A	INJECTOR POWER, EVEN
B	TRIGGER, INJECTOR (EVEN) B

Color	Dest1
Pnk	C50-1
Blu	C50-3