



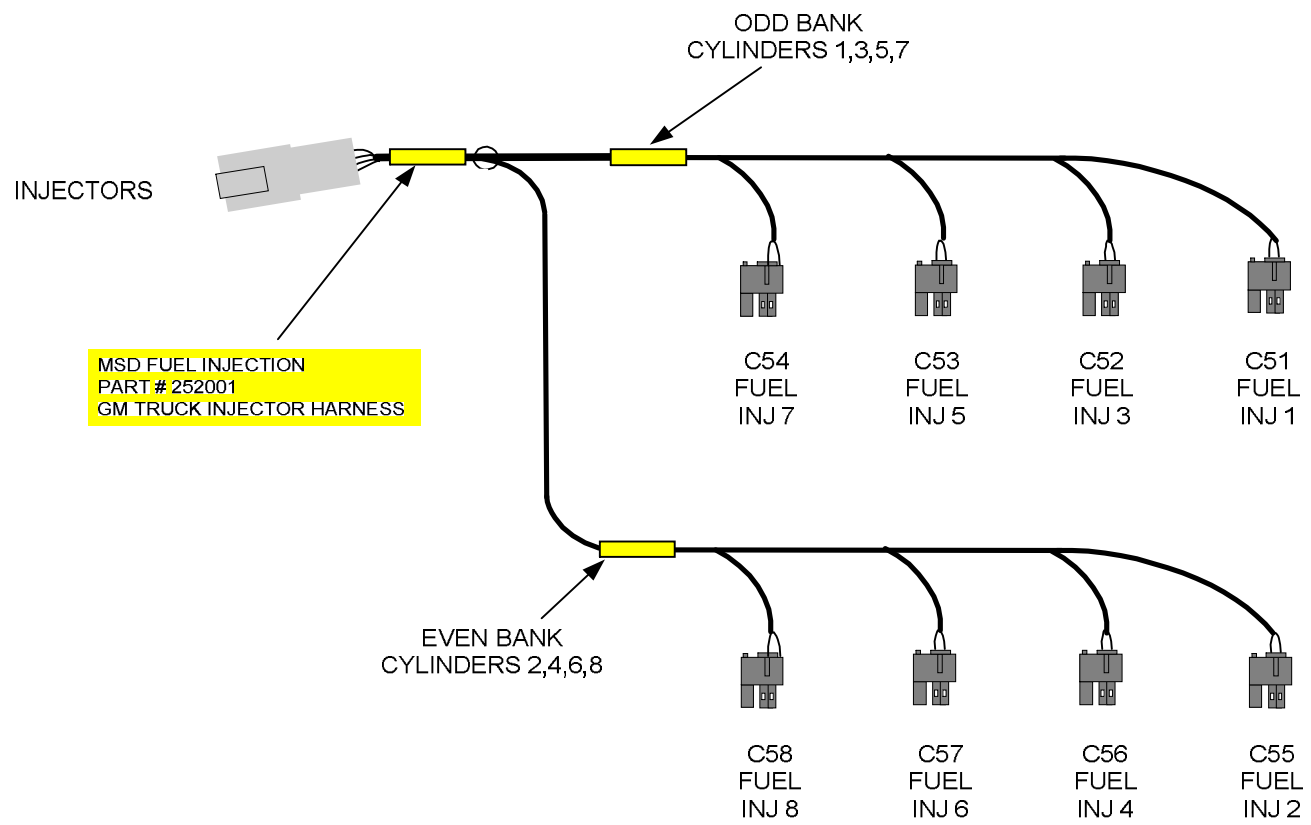
Harness Specification

P/N: **252001**

REV:

D

NAME: **Gen 3&4 Truck Injector Harness**



MSD FUEL INJECTION
GM TRUCK INJ. HARNESS
PART# 252001

P/N: 252001

Rev: D

Name: Gen 3&4 Truck Injector Harness

C50

Pin	Function
1	INJECTOR POWER, EVEN
2	TRIGGER, INJECTOR (ODD) A
3	TRIGGER, INJECTOR (EVEN) B
4	INJECTOR POWER, ODD

Connector Name	INJECTORS	Label	INJECTORS
----------------	-----------	-------	-----------

C51

Pin	Function
A	INJECTOR POWER, ODD
B	TRIGGER, INJECTOR (ODD) A

Connector Name	INJECTOR 1	Label	INJ1
----------------	------------	-------	------

C52

Pin	Function
A	INJECTOR POWER, ODD
B	TRIGGER, INJECTOR (ODD) A

Connector Name	INJECTOR 3	Label	INJ3
----------------	------------	-------	------

C53

Pin	Function
A	INJECTOR POWER, ODD
B	TRIGGER, INJECTOR (ODD) A

Connector Name	INJECTOR 5	Label	INJ5
----------------	------------	-------	------

C54

Pin	Function
A	INJECTOR POWER, ODD
B	TRIGGER, INJECTOR (ODD) A

Connector Name	INJECTOR 7	Label	INJ7
----------------	------------	-------	------

C55

Pin	Function
A	INJECTOR POWER, EVEN
B	TRIGGER, INJECTOR (EVEN) B

Connector Name	INJECTOR 2	Label	INJ2
----------------	------------	-------	------

C56

Pin	Function
A	INJECTOR POWER, EVEN
B	TRIGGER, INJECTOR (EVEN) B

Connector Name	INJECTOR 4	Label	INJ4
----------------	------------	-------	------

C57

Pin	Function
A	INJECTOR POWER, EVEN
B	TRIGGER, INJECTOR (EVEN) B

Connector Name	INJECTOR 6	Label	INJ6
----------------	------------	-------	------

C58

Pin	Function
A	INJECTOR POWER, EVEN
B	TRIGGER, INJECTOR (EVEN) B

Connector Name	INJECTOR 8	Label	INJ8
----------------	------------	-------	------