



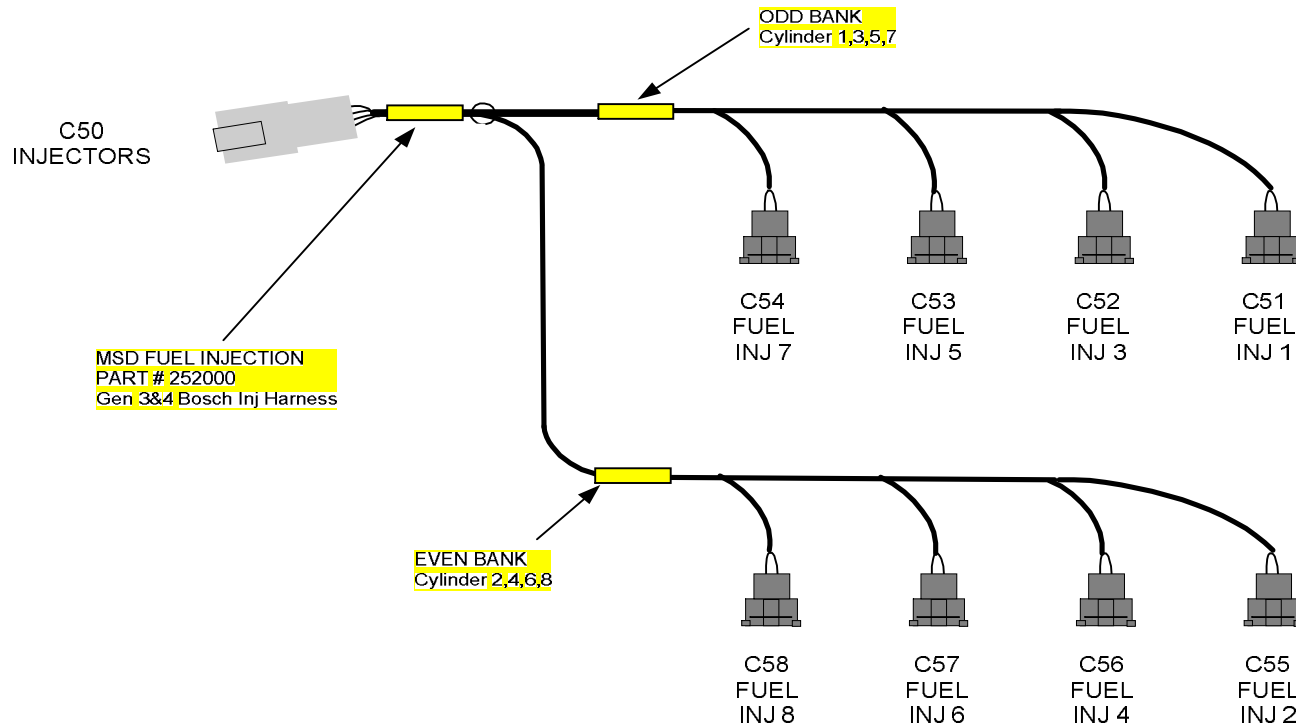
Harness Specification

P/N: **252000**

REV:

D

NAME: **Gen 3&4 Bosch Injector Harness**



MSD FUEL INJECTION		
NAME: Gen 3&4 Bosch Inj Harness		
PART: PART # 252000		
DRAWN BY: MDS	DATE: 6/20/06	REV.: D

P/N:

252000

Rev: D

Name: Gen 3&4 Bosch Injector Harness

C50

Pin	Function
1	INJECTOR POWER, EVEN
2	TRIGGER, INJECTOR (ODD) A
3	TRIGGER, INJECTOR (EVEN) B
4	INJECTOR POWER, ODD

Connector Name	INJECTORS	Label	INJECTORS

C51

Pin	Function
A	INJECTOR POWER, ODD
B	TRIGGER, INJECTOR (ODD) A

Connector Name	INJECTOR 1	Label	INJ1
		Dest1	
		Pnk	C50-4
		Grn	C50-2

C52

Pin	Function
A	INJECTOR POWER, ODD
B	TRIGGER, INJECTOR (ODD) A

Connector Name	INJECTOR 3	Label	INJ3
		Dest1	
		Pnk	C50-4
		Grn	C50-2

C53

Pin	Function
A	INJECTOR POWER, ODD
B	TRIGGER, INJECTOR (ODD) A

Connector Name	INJECTOR 5	Label	INJ5
		Dest1	
		Pnk	C50-4
		Grn	C50-2

C54

Pin	Function
A	INJECTOR POWER, ODD
B	TRIGGER, INJECTOR (ODD) A

Connector Name	INJECTOR 7	Label	INJ7
		Dest1	
		Pnk	C50-4
		Grn	C50-2

C55

Pin	Function
A	INJECTOR POWER, EVEN
B	TRIGGER, INJECTOR (EVEN) B

Connector Name	INJECTOR 2	Label	INJ2
		Dest1	
		Pnk	C50-1
		Blu	C50-3

C56

Pin	Function
A	INJECTOR POWER, EVEN
B	TRIGGER, INJECTOR (EVEN) B

Connector Name	INJECTOR 4	Label	INJ4
		Dest1	
		Pnk	C50-1
		Blu	C50-3

C57

Pin	Function
A	INJECTOR POWER, EVEN
B	TRIGGER, INJECTOR (EVEN) B

Connector Name	INJECTOR 6	Label	INJ6
		Dest1	
		Pnk	C50-1
		Blu	C50-3

C58

Pin	Function
A	INJECTOR POWER, EVEN
B	TRIGGER, INJECTOR (EVEN) B

Connector Name	INJECTOR 8	Label	INJ8
		Dest1	
		Pnk	C50-1
		Blu	C50-3