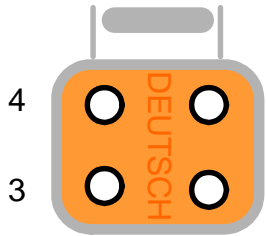


Oxygen Sensor Pinout



- 1 AFX Signal (Yel)
- 2 AFX Grounds (Blk)
- 3 AFX Power (Red)
- 4 Not Used



Brown
(Not Used)

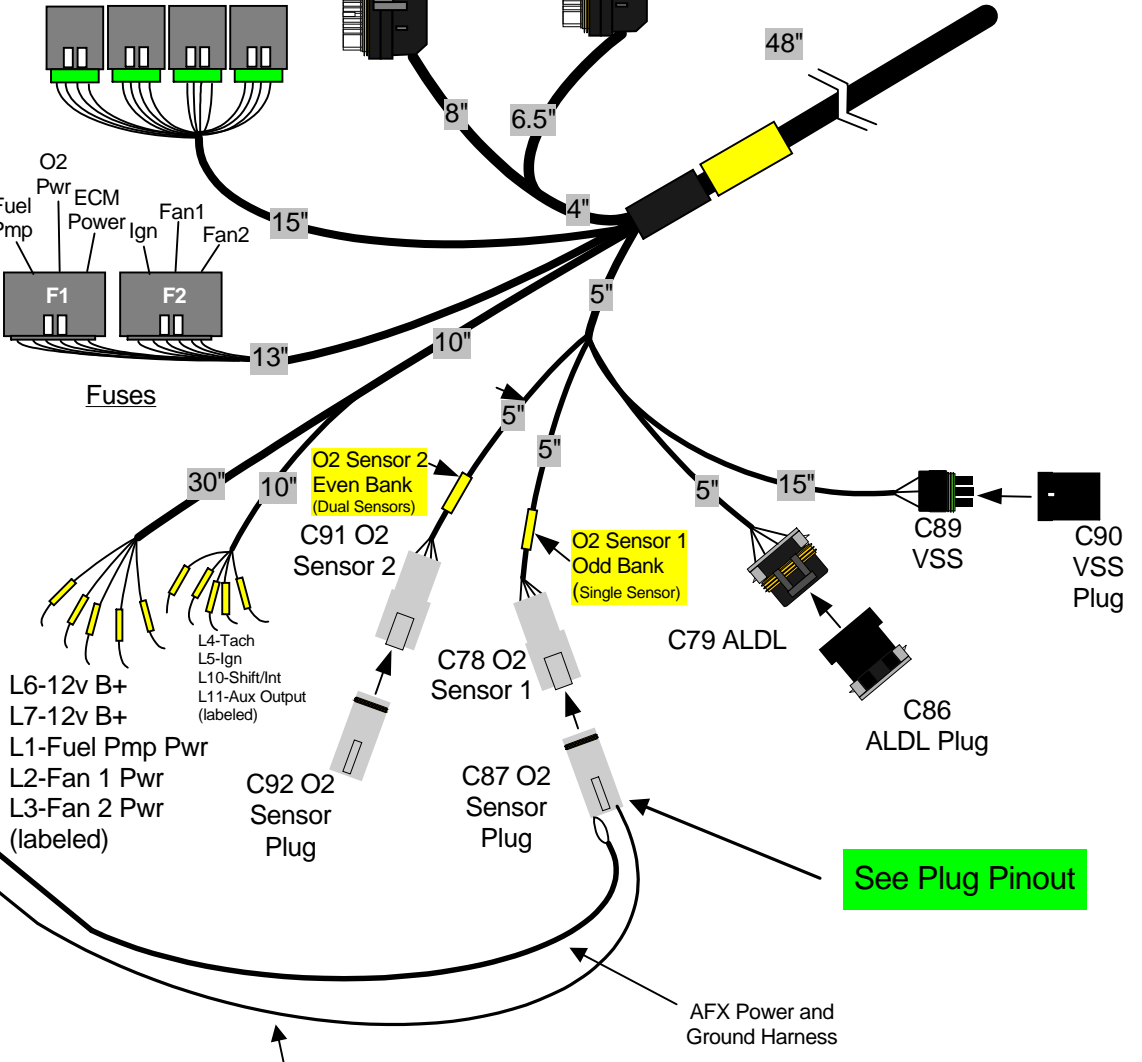
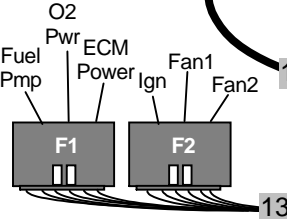
WB A/F Sensor

Relays

- R1 R2 R3 R4
- IGN Fuel Fan Fan
- Pmp 1 2



Fuses



- L6-12v B+
- L7-12v B+
- L1-Fuel Pmp Pwr
- L2-Fan 1 Pwr
- L3-Fan 2 Pwr (labeled)
- L4-Tach
- L5-Ign
- L10-Shift/Int
- L11-Aux Output (labeled)

Yellow 0-5V Analog Out
Connect to Pin 1 (Tan wire) on
O2 Sensor 1 Odd Bank
(Wire may need to be
extended)

See Plug Pinout

MSD FUEL INJECTION		
NAME: MEFI 4 Gen 3/4 Closed Loop		
P/N:		
DRAWN BY: MAW	DATE: 10/15/07	REV.: B